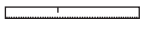


Instructions

Spirit level
x1



Drill
x1



Screwdriver
x1



Hammer
x1



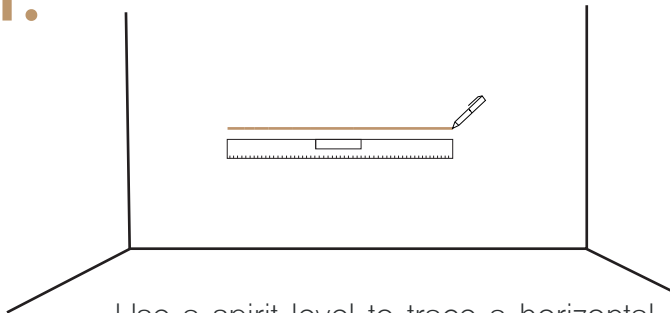
Kit de vis
x2



Screw kit
x2

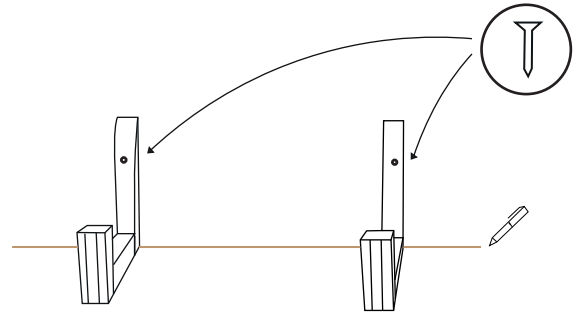


1.



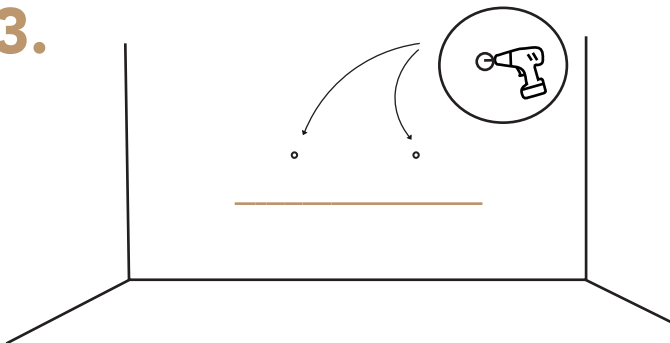
- Use a spirit level to trace a horizontal line where you wish to display your board.

2.



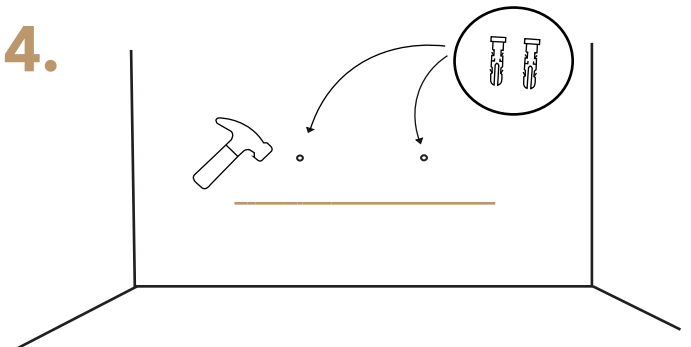
- Hold the bottom of your racks on the horizontal line. Use a sharp object to mark where you need to put the screws..

3.



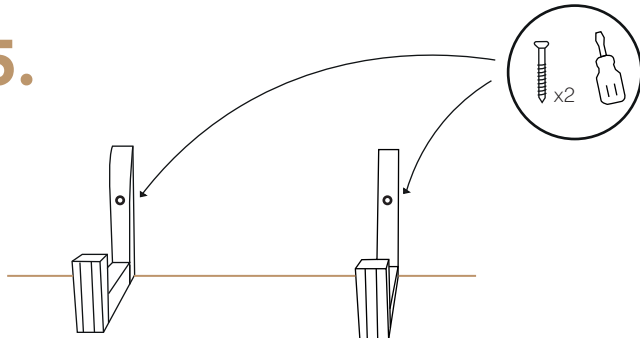
- Drill where the marks are.

4.



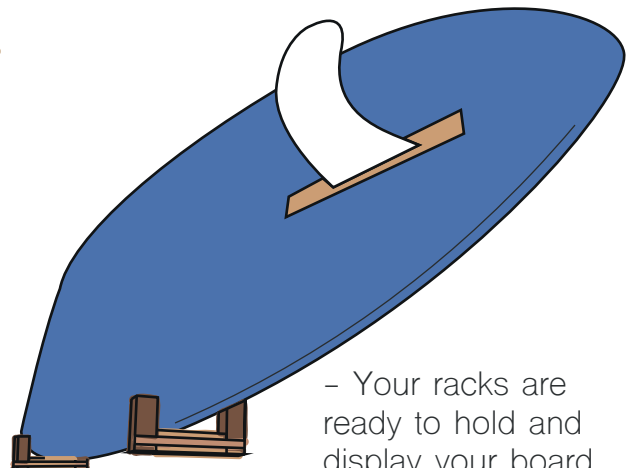
- Hammer the wall plugs into the drilled holes.

5.



- Fix your racks using the screws and a screwdriver.

6.



- Your racks are ready to hold and display your board.